



OWNER'S MANUAL



High-Vacuum Dust Collector

5HP, 1/3 Phase Models

#XXXK050133

#XXXK050133



Intertek

Appearance may vary slightly

Table of Contents

System Start-Up Information	2
System Specifications	4
System Dimensions	5
System Contents	6
Assembly Instructions	8
Electrical Wiring Instructions	14
Maintenance	18
Troubleshooting	19
Recommended Accessories	20
Warranty Information	22
Terms & Conditions	23
Notes	24

System Start-Up Information



Make sure to read and understand the installation and maintenance instructions as well as all recommended safety practices.

⚠ WARNING ⚠

1. Install ductwork completely before operating collector
 - a. Seal ductwork with silicone sealant or duct tape.
 - b. Have dust drum in place and sealed.
2. DO NOT operate Fan / Blower unless Fan Housing is attached to Cyclone body and Dust Drum is in place. Dust Drum and Cyclone must be in place and sealed or motor will overheat!
3. DO NOT operate without filter in place. Fan blade can cause serious injury.
4. The Direct Drive Fan / Blower makes the system top heavy! Use extreme care when setting the unit up! It is recommended that at least two people lift the system up.
5. Check amperage draw on motor with all gates open. Current draw should not exceed maximum motor amperage as stated on motor plate. (Oneida Air Systems is not responsible for damage to motors caused by improper installation, wiring or failure to follow these directions).
6. This equipment incorporates parts such as switches, motors or the like that tend to produce arcs or sparks that can cause an explosion.
7. To reduce the risk of Electric Shock, DO NOT use outdoors or on wet surfaces.
8. Exhaust air should not be vented into a wall, a ceiling, or a concealed space of a building.
9. To reduce the risk of injury from moving parts - unplug BEFORE servicing.

⚠ FIRE HAZARDS ⚠

1. Wood shaping and cutting processes generate wood chips, shavings and dust. These materials are considered combustible. Air borne wood dust below 420 microns in size (0.17 of an inch) in certain concentration ranges when ignited can deflagrate (burn quickly). An ignition source such as a spark or ember can ignite a dust mixture resulting in an expanding flame front, which can cause an explosion if tightly contained. A disturbance that raises a cloud of accumulated fine dust can raise additional dust clouds, which can cause a series of explosions that can level an entire building. Until this type of fire has been witnessed, it is difficult to believe the devastation. This type of fire is rare but worth safeguarding against.
2. The best way to avoid a wood shop fire is to keep the shop clean. A shop ankle deep in dust with layers of fine dust everywhere is an accident waiting to happen. A good dust collection system reduces overall fire hazards but also adds new concerns. A fire hazard is still present. Combustible material is now in the dust collector and storage container.
3. The following points are worth heeding:
 - a. It is the buyer's responsibility to follow all applicable federal, state, local, OSHA, NFPA, or authorities having jurisdiction codes and regulations when installing and operating this dust collector.
 - b. Fire Marshals may want the unit located outside of the building. If the collector is located inside the facility, controls such as spark detection, suppression, or explosion venting may be required.
 - c. Most local jurisdictions consult or adopt NFPA (National Fire Protection Agency) codes. However, other codes may apply. Local codes may vary from jurisdiction to jurisdiction.

System Start-Up Information (Continued)

- d. NFPA664 Code book, “Standard for the Prevention of Fires and Explosions in Wood Processing and Woodworking Facilities”, applies to woodworking operations that occupy areas of more than 5,000 sq. ft. or to areas where dust producing equipment requires an aggregate dust collection flow rate of more than 1,500 cfm (cubic feet per minute). This exempts some small operators from the NFPA code 664, but other codes may apply in your jurisdiction. Consult your local Fire Marshal for help. Additional information can be found in NFPA Code Book 664.
4. The customer assumes the responsibility for contacting their insurance underwriter regarding specific application requirements of explosion venting or if additional fire protection and safety equipment may be required.
5. DO NOT use this product to collect other types of flammable dust or flammable vapors! - Fire or explosion may occur!
6. NEVER collect sparks from a bench grinder into a wood dust collector.
7. NEVER introduce sparks or sources of ignition into the dust collector.
8. Personnel should be kept at least 20 ft. away from unit.
9. Check dust bin frequently and before leaving the shop for smoldering material.
10. Keep portable fire extinguishers handy.
 - a. The ABC type (dry chemical) is generally a good choice for small wood shops.
 - b. Additional information on portable extinguishers can be found in NFPA 10 (Standard for Portable Fire Extinguishers).
11. Be especially careful with sanding units. They can produce concentrations of dust in the combustible range. Make certain enough air volume is at the suction point to capture all the particulate generated.
12. This high air volume will dilute the mixture below the lower limit of flammability. Be careful not to generate sparks into the sanding dust.
13. Empty dust bin and clean filter often, especially when sanding.
14. DO NOT overload woodworking equipment, especially sanders. Excessive frictional heat can spontaneously ignite dust.
15. Sparks can be generated in several ways:
 - a. High speed sanders and abrasive planers may strike foreign material.
 - b. Saws and edgers may strike foreign material and create a red-hot metal fragment.
 - c. Knots in hardwood can create frictional sparks.
 - d. Tramp metal when drawn into the collector can spark against ductwork.
 - e. Check wood stock for old nails and screws which can create red hot metal fragments.
16. Avoid using excessively large wood waste bins.
17. ALWAYS check storage bins for smoldering material before leaving for the day.
18. Electrically ground all equipment and ducting. Static sparks can ignite wood dust. (Avoid using PVC drain pipe.)
19. DO NOT allow accumulation of layers of fine dust on horizontal surfaces (especially overhead lights, electrical boxes and fuse panels which can ignite dust.)
20. UNPLUG UNIT BEFORE SERVICING OR CLEANING

OAS Customer Service Dept.

1-866-387-8822 • support@oneida-air.com

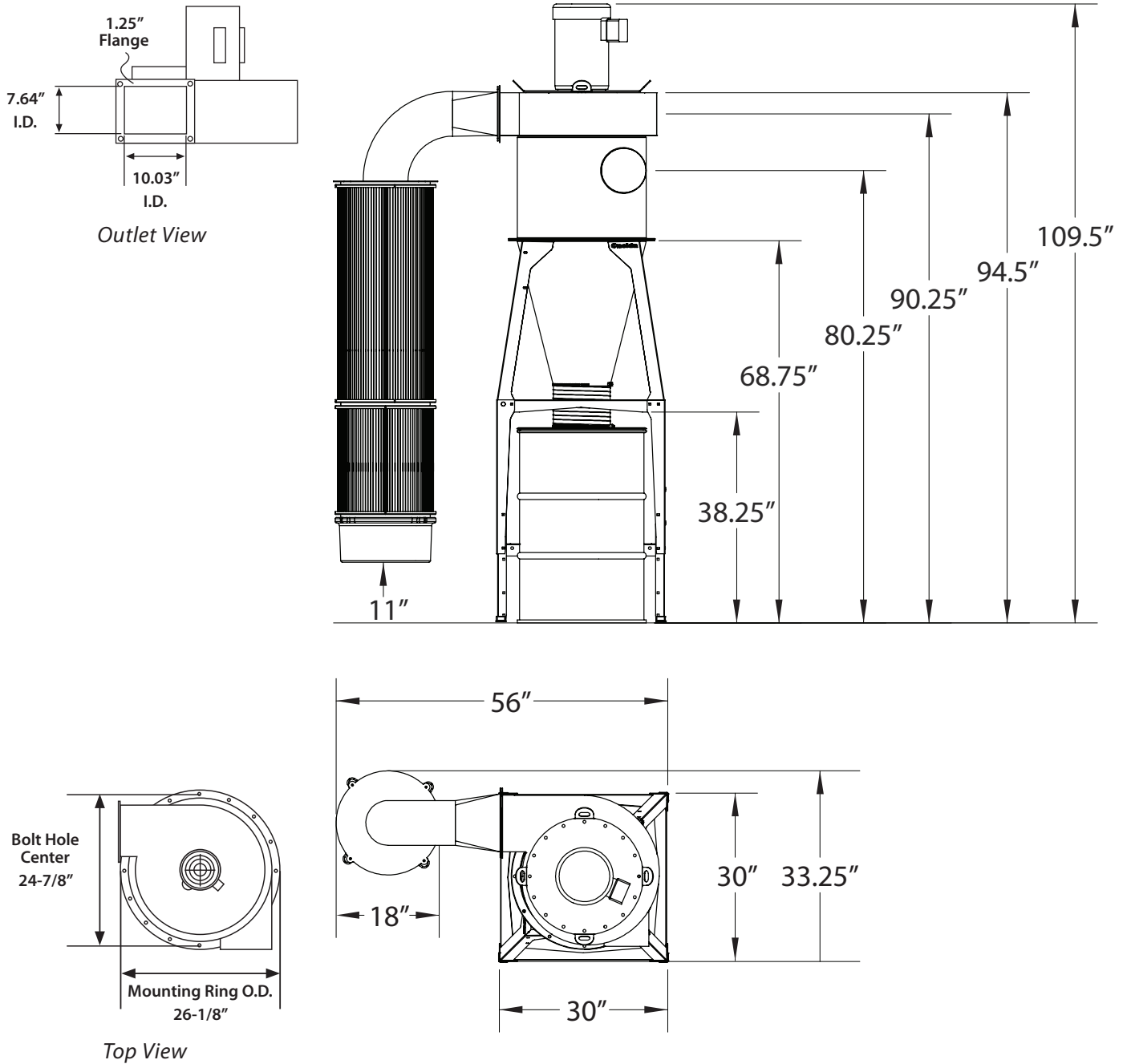
System Specifications

OPERATION		
Fan Rating (Free Fan)	3,225 CFM	
Fan Rating (with Cyclone & Filter)	2,150 CFM @ 2" WC	
Maximum Suction Rating	16" WC	
MOTOR AND ELECTRICAL		
Motor Type	U.S. Made Baldor® TEFC Motor	
Motor Insulation	Class F	
Motor Service Factor	1.00	
Horsepower	5HP	
Motor Speed	3,450 RPM	
Phase	Single-Phase (1ph)	Three-Phase (3ph)
Voltage	230V	240V *
Cycle	60Hz	60Hz
Listed FLA	19.5A	11.8A (230V) 5.9A (460V)*
On/Off Switch	Magnetic Starter with On-Off Switch Preset for Add-on remote and Amperage	Contact Electrician
Power Cord	10 ft	10 ft
Power Plug Included	NEMA 6-20	N/A (Bare Wire)
Recommended Circuit Size	30A	Contact Electrician
Sound Emission	With Standard Silencer & Filter: 75 - 81 dBA @ 10 ft	
IMPELLER		
Size	16.5 in. Diameter	
Material	Cast Aluminum Alloy 356-51 / Backward Inclined / Non-Sparking, Non-Ferrous as Required by NFPA Fire Code / Dynamic, Two-Plane Balanced to ISO 6.3 Specifications. The Same as Aircraft Turbine Rotors.	
CARTRIDGE FILTER		
Filter Media Type	High Efficiency Izumi Axtar Spunbonded Polyester	
Filter Efficiency	99.9% of particles captured (0.2 - 2 micron)	
Filter Surface Area	155 Sq. Ft.	
SYSTEM DIMENSIONS AND CONSTRUCTION		
Barrel/Cyclone Body	Seam-Welded Heavy Gauge Steel	
Inlet	8" I.D. Full Welded with Neutral Vane	
Overall Height (with 55 Gallon Drum)	109.5"	

* Additional components are needed for 460 volt requirements; See Supplemental Magnetic Starter Instructions.

System Dimensions

Nominal dimensions shown. Dimensions subject to slight variations in manufacturing.



System Contents



If you cannot find an item on the list examine the packaging materials very carefully. Certain components may have been pre-installed for shipping purposes. There may be hardware leftover.

ID	Part number	Part description	Qty
A	BXI050100A	Fan Blower Assembly 5HP 1PH	1
	BXI050300A	Fan Blower Assembly 5HP 3PH	
B	SCX002309	23" Cone	1
C	FPX010050	Filter Plenum Elbow	1
D	FCS183600HF	18" x 36" Spunbond Cartridge Filter	1
E	FCS182000	18" x 19.5" Spunbond Cartridge Filter	1
F	BSC180000	18" Dia. Drop-In Acoustic Foam Silencer	1
G	FPZ000018	18" Dia. Fine Dust Bin	1
H	FXK000000	Filter Efficiency Gauge Kit	1
I	ACB120000	8"-12" Clamp Band	2
J	DHF100000	10" Dia. Flex Hose	1 ft.
K	SEX551000	Steel Drum Lid with 10" Collared Lid	1
L	SES550000	55 Gallon Steel Drum with Lid Clamp	1
M	AHX050000	5HP HiVac Hardware Kit	1
M1	RGZ000000	Neoprene Foam Gasket Roll	25 ft.
M2	AFS013000	8-18 x 3/8" Self-tapping Screws	2
M3	FGA000001A	14" Grounding Cable	1

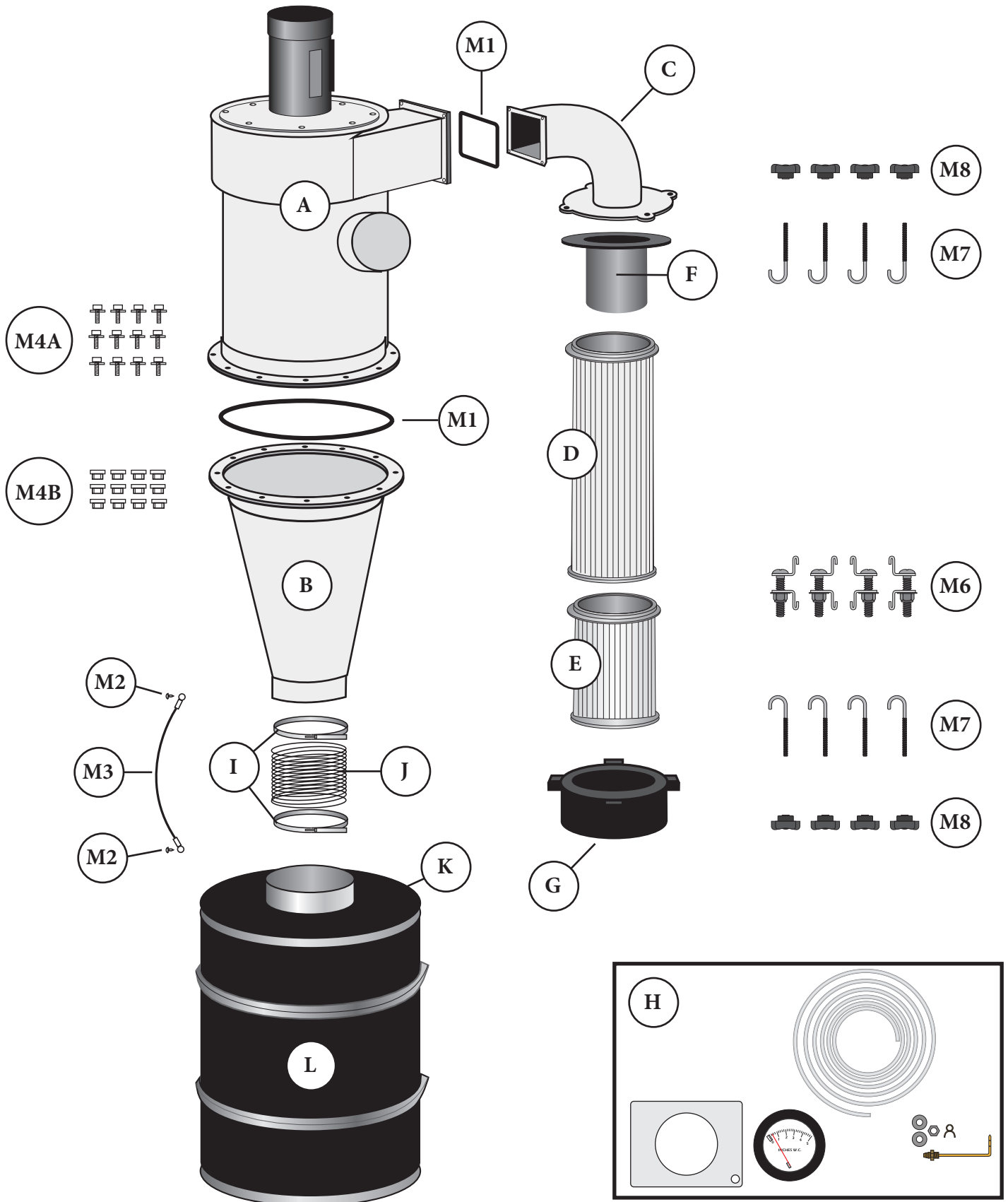
ID	Part number	Part description	Qty
M4	AHX000005A	Stationary System Hardware Kit	1
M4A	AFB155155	5/16-18 x 1" Flange Bolt	46
M4B	AFT155175	5/16 Whiz-Lock Nut	46
M6	AHX186200	Filter Stacking Clip Assembly	1
M6A	AFC000004	Filter Stacking Clip	8
M6B	AFB025200	1/4-20 x 2" Carriage Bolt	4
M6C	AFW025000	1/4" Flat Washer	4
M6D	AFT9000006	1/4-20" Nylock Nut	4
M7	AFJ051602	5/16-18" x 2" J Bolt	8
M8	AFT000001	5/16-18" Thumb Nut	8
INCLUDED ONLY WITH THREE PHASE SYSTEMS			
N	AMP000000	Start/Stop Push Button	1
O	AMC183600	Enclosed Contactor with 220V Coil	1
P	AM0121800	12-18 Amp Overload	1

Please unpack the parts carefully and confirm you have received each item listed here.

You will need the following:

- 7/16" Wrench
- 7/16" Socket Wrench
- 1/2" Wrench
- 1/2" Socket Wrench
- 1/2" Deep Impact Socket
- 8' Ladder
- Tape Ruler
- Scissors
- Razor Knife
- Diagonal Cutters
- Spirit Level
- Anchor Screws

System Contents (Continued)



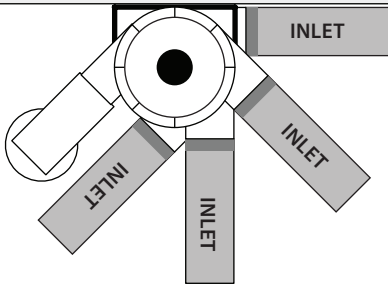
Assembly Instructions



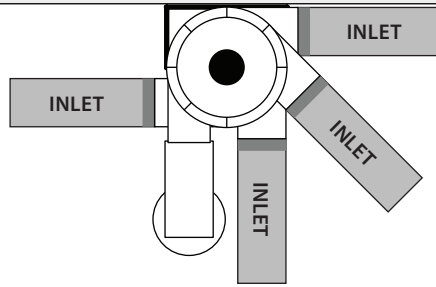
Before you start, determine which direction you want your filter to hang and which direction you want your duct work to enter the collector. The fan housing and cyclone barrel bolt holes are drilled at 45 degree increments; Some orientations are not possible.

Tip: The collector will seem quieter if the outlet is aimed away from the area people tend to work.

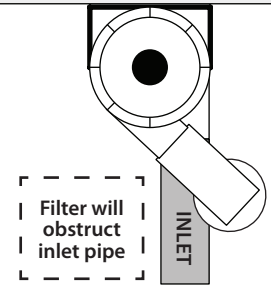
✓ **CORRECT**



✓ **CORRECT**



✗ **INCORRECT**



1

Your barrel, fan housing, and motor assembly are pre-installed at the factory in the orientation shown in [FIG. 1].

If you need to alter the Fan Blower Assembly (A) for your setup you will need to unbolt the motor assembly from the fan housing and unbolt the fan housing from the barrel. Otherwise skip to Step 3.

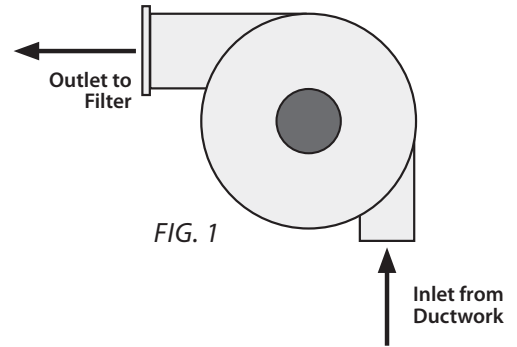


FIG. 1

2

Once you have it positioned in the desired orientation then you will need to reattach the fan housing to the barrel with the provided bolts and the motor assembly to the fan housing with the provided bolts [FIG. 2].

Note: We recommend installing new gasket if your gasket has been damaged, is torn or is has been fully compressed For your convenience, you are provided with extra gasket (M1).

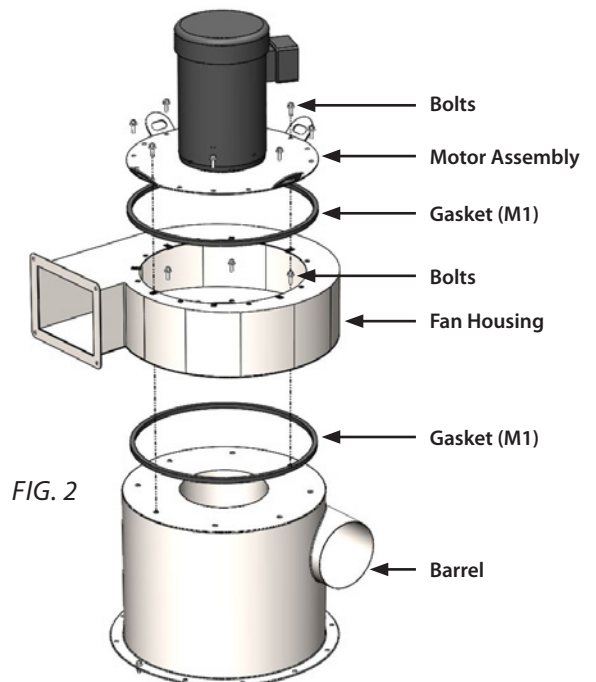


FIG. 2

Assembly Instructions (Continued)

- 3** Apply gasket (M1) making sure that there is no gap where the ends meet.

Apply to the top flange of the Cone (B). Make sure you apply it inside the bolt holes [FIG. 3].

- a. Apply to the Fan Housing outlet. Make sure to apply it inside of the bolt holes [FIG. 4].

Note: Dust collection systems cannot operate effectively if there isn't a complete seal. There must be NO air leaks.

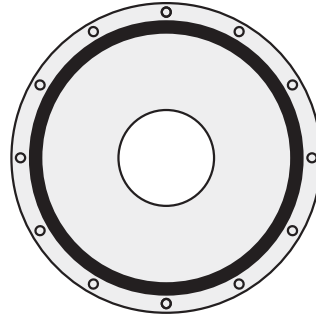


FIG. 3

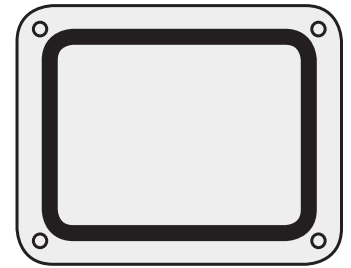


FIG. 4

- 4** To assemble the stand and leg extensions please refer to the included instruction sheets:

- Stand Instruction Sheet #ZBI000014
- Leg Extension Instruction Sheet #ZBI000013

- 5** Lift the Cone (B) onto the stand, making sure to align the Cone's flange holes with those on the stand [FIG 5].



FIG. 5

Assembly Instructions (Continued)



The fan blower assembly is very heavy and cumbersome; Be sure to have adequate help to lift the fan blower assembly up!

- 6 Once your cone is aligned with the stand, lift the Fan Blower Assembly (A) onto the Cone (B), making sure to align the corresponding flange holes.

Thread twelve 5/16-18 x 1" bolts (M3A) through the aligned holes of the Fan Blower Assembly (A), the Cone (B), and the stand. Secure each of the bolts in place using twelve 5/16" whiz-lock nuts (M3B).

Note: Tighten firmly but do not over compress the gasket.

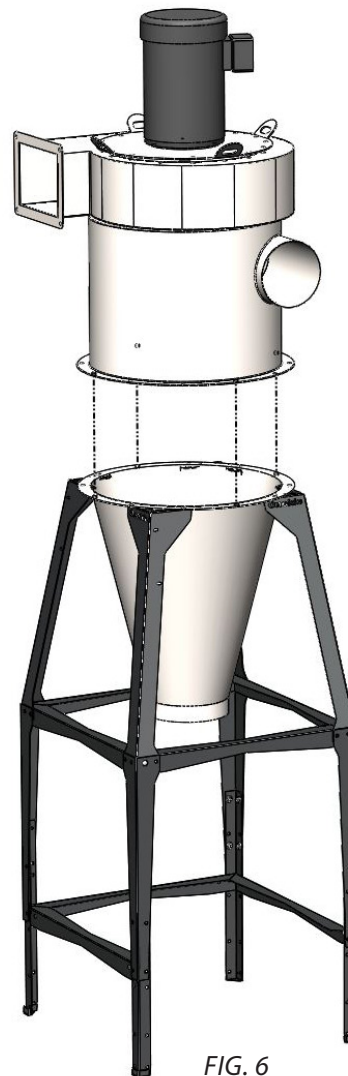


FIG. 6

- 7 Attach the Plenum Elbow (C) onto the outlet of the Fan Blower Assembly (A) with four 5/16-18 x 1" bolts (M3A), and four 5/16" whiz-lock nuts (M3B) as shown in [FIG. 7].

Note: Tighten firmly but do not over compress the gasket.

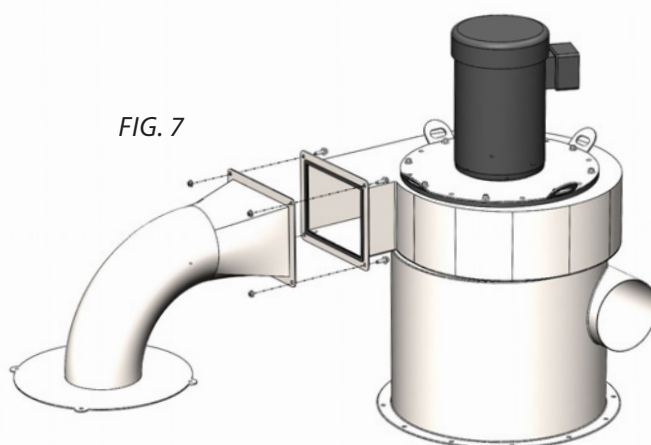


FIG. 7

Assembly Instructions (Continued)

- 8** Attach four clamps (M6A) onto each filter (D,E), spacing them evenly at 90 degree increments around the rim's diameter [FIG. 8].

Thread the 1/4-20 x 2" carriage bolts (M6B) through a pair of clamps (M6A) from each filter (D, E), then secure the bolt in place using a 1/4" flat washer (M6C) and a 1/4-20" nylon nut (M6D); loosely tighten and repeat until all eight clamps are connected.

Finish tightening each nut (M6D) in a crisscrossing pattern until the gasket is evenly compressed all around, leaving a 3/8" gap visible between the filter flanges [FIG. 9].

Note: Gasket compression must be constant and even. Tighten just until the filters are firmly attached to each other and evenly sealed. Over-tightening can damage the filter and uneven tightening can cause air leakage.

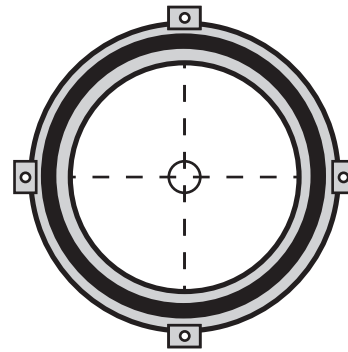


FIG. 8

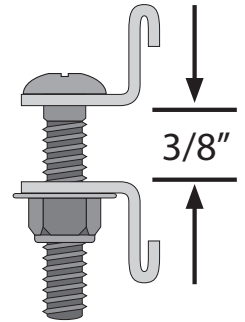


FIG. 9

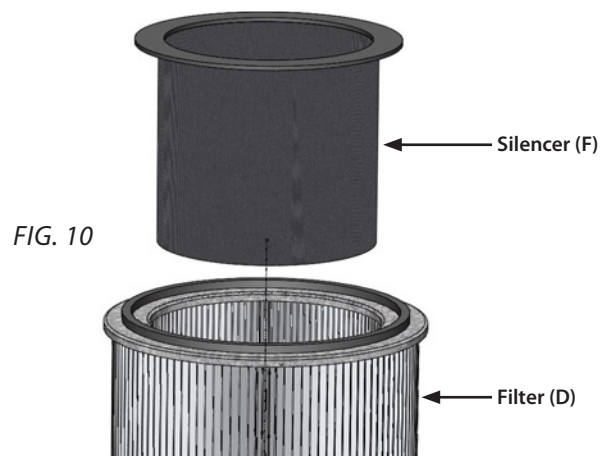


FIG. 10

- 9** Insert the Drop-In Silencer (F) into the top of the larger Filter (D) as in [FIG. 10].

- 10** Attach the stacked Filters (D, E) to the plenum elbow with four 5/16-18 x 2" J-Bolts (M7) and four 5/16-18" Thumb Nuts (M8) as in [FIG. 11].

Attach the Fine Dust Bin to the bottom cartridge filter with four 5/16-18 x 2" J-Bolts (M7) and four 5/16-18" Thumb Nuts (M8) as in [FIG. 12].

Note: Filters should be oriented so that the larger unit (D) is on top; Incorrect orientation can place unnecessary strain on the smaller Filter (E).

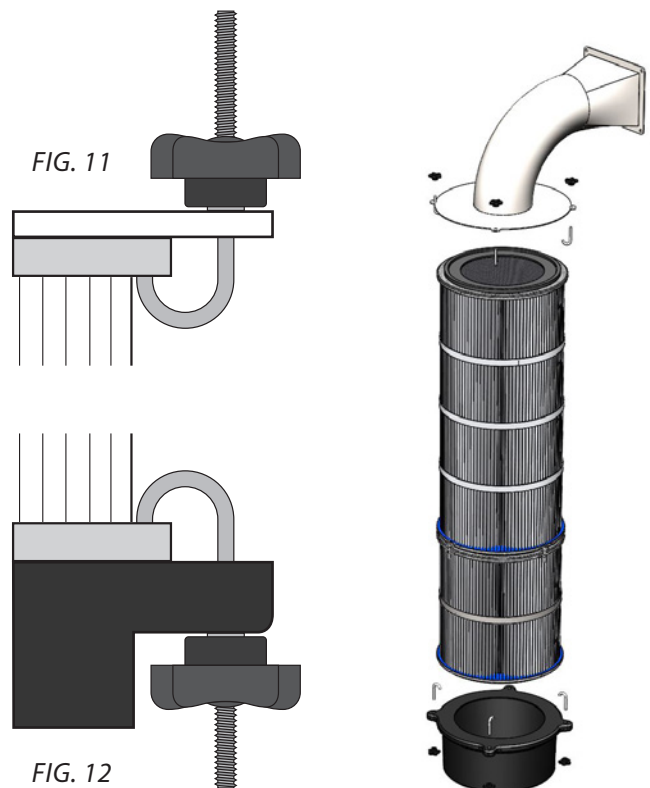


FIG. 12

Assembly Instructions (Continued)



The flex hose connects the cyclone to the dust bin below and only requires enough height to allow the lid to be lifted from the bin. You may shorten the provided 1' hose length as needed.

- 11** Attach hose (J) to the cone's (B) discharge, and secure it in place with the hose clamp (I).

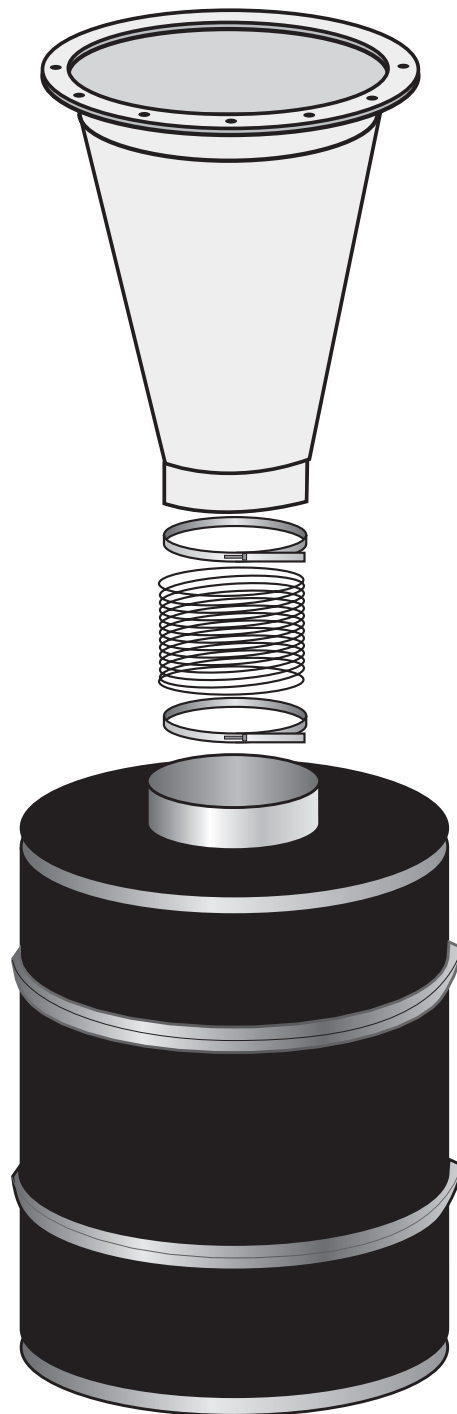
Note: The hose is a snug fit. Pull ends up little by little to work the hose onto the cyclone's discharge. Pliers can be used to grab the reinforcing wire and aid in pulling the hose over the opening.

- 12** Position the drum (L) under the cone (B) and repeat the process to attach the opposite end of the hose (J) onto the drum's collared inlet.

- 13** Unclamp the drum's lid (K) and test to see if the drum (L) is easy to remove from underneath the cone (C).

If there is insufficient clearance for removing the drum, you may trim the flex hose (J) using a razor knife and diagonal cutter to cut through the clear lining and reinforcing wire.

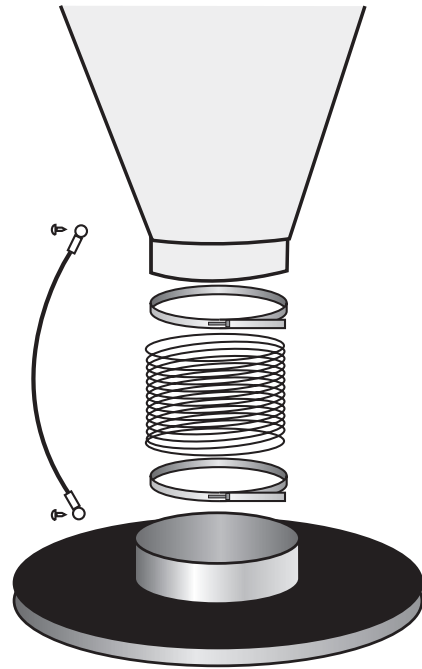
Note: Be careful to only remove 0.5" at a time so as not to over trim.



Assembly Instructions (Continued)

- 15** To ground the drum, attach the 14" grounding cable (M3), start a small hole in bottom of cone (B) above flex hose (J) and on the top of the dust drum's lid (K), then attach the wire with the included 3/8" self-tapping screws (M2).

Note: If you need to extend the wire, you can use any 16 gauge copper stranded wire and connect with wire nuts



- 14** To ground the filter, attach the ring terminal on the braided ground wire from the motor to a bolt on the filter plate, under the nut, then attach the alligator clip to the filter cage [FIG. 15].

Note: If you need to extend the wire, you can use any 16 gauge copper stranded wire and connect with wire nuts

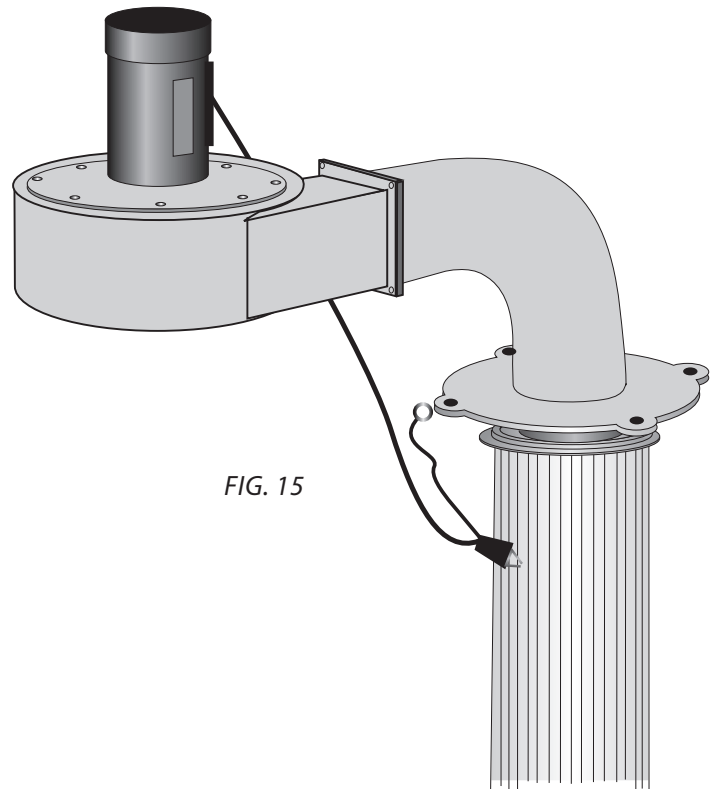


FIG. 15

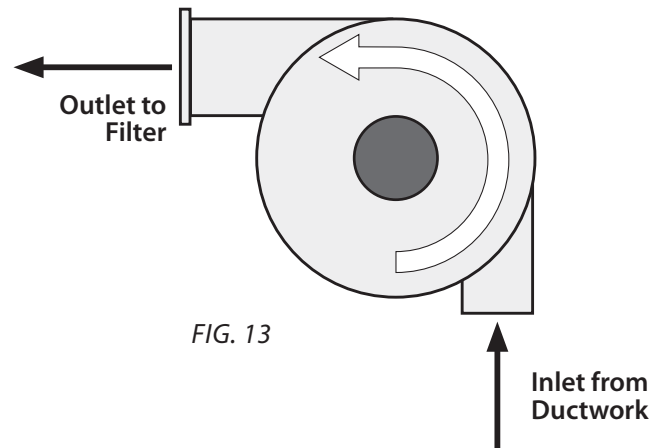
Electrical Wiring Instructions



Single-Phase systems are pre-wired at the factory. Wiring should always be done by a licensed electrician! Use wiring diagram on motor plate if different from that shown here.

- 16** Options for installing the Magnetic Starter:
- Open the lid to the starter and screw the starter into the wall using anchor screws.
 - Open the lid to the starter and attach the starter to the stand using anchor screws.

- 17** Electrically insulate all connections and verify that your motor is wired per the following diagrams.
- Once wired, check that the fan impeller's rotation is counter-clockwise, looking from the top of motor down [FIG. 13].



Single-Phase (230 Volt)		Three-Phase (240 Volt)		Three-Phase (460 Volt)	
WIRE	LINE	WIRE	LINE	WIRE	LINE
1 - Blue	> Power Line 1*	1	L1	1	L1
8 - Red		2		L2	
j - Brown	Tie together and insulate with a wire nut. <i>DO NOT CONNECT TO ANY HOUSE WIRING.</i>	3	L3	3	L3
5 - Black		4		Tie together	
4 - Yellow	> Power Line 2*	5	8		Tie together
		6	5		Tie together
				9	Tie together
				6	

Power Line 1 & 2 are interchangeable. To reverse the fan's rotation, interchange any two line leads.
Ground: Connect house ground wire to green chassis screw in motor wire housing box

Electrical Wiring Instructions (Continued)



YOU MUST HAVE THIS PRODUCT INSTALLED BY A QUALIFIED AND LICENSED ELECTRICIAN. IMPROPER INSTALLATION IS VERY DANGEROUS AND WILL VOID YOUR WARRANTY.

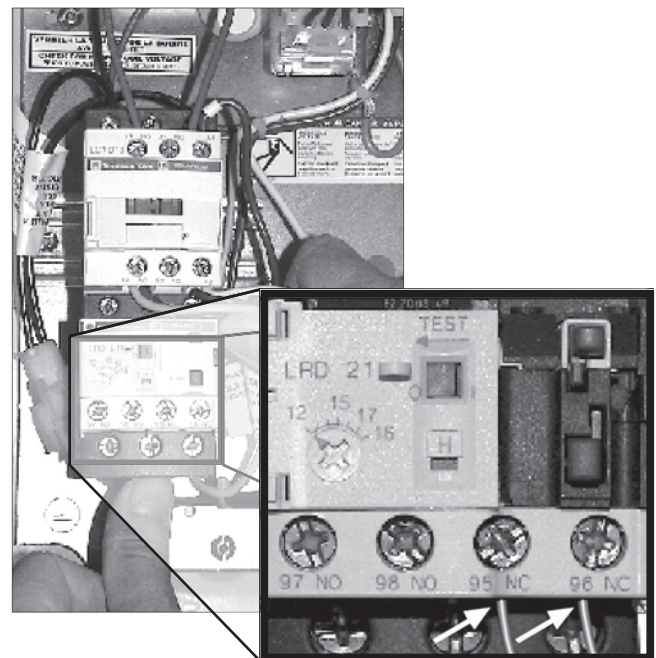
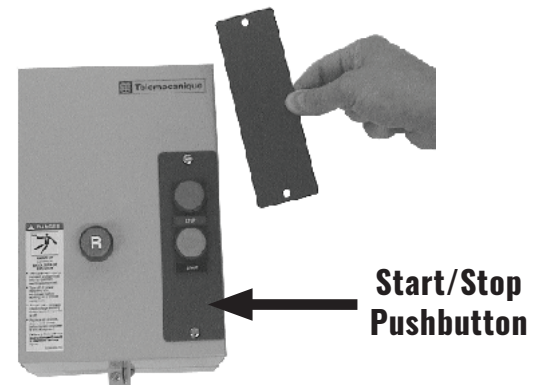
Follow all local & national electrical codes when installing this product. The gauge of the Jumper Wire must match the gauge of the wire bringing power to the motor through the Magnetic Starter.

18 If you purchased a single phase system, you can ignore the following steps.

19 Remove the blank plate and install the Start/Stop Pushbutton into the starter cover.

20 You must mount the Overload Protector to the contactor. The Overload comes in the small white box. It mounts to the three terminals at the bottom of the contactor. See the complete manufacture's instruction for more information.

After mounting the Overload, connect two brown wires (marked 95 & 96) to their respective numbered terminals on the overload.

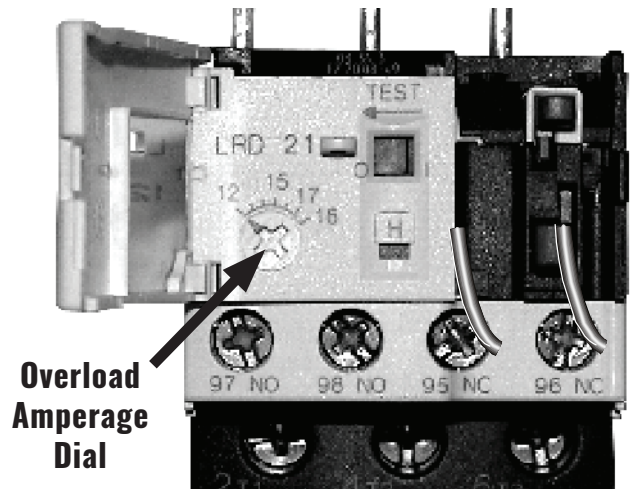


Electrical Wiring Instructions (Continued)

- 21** Open the access cover of the overload protector, then set the overload amperage dial to match the Full Load Amperage (FLA) of your motor (found on the motor's nameplate).

Be sure you have the proper voltage available for your Starter's Power & Control Circuit; This circuit regulates the contactor coil within the starter.

Note: Coil voltage can be independent of the line voltage that runs your motor. An alternative voltage contactor coil can be used to connect a starter to a low voltage control circuit.



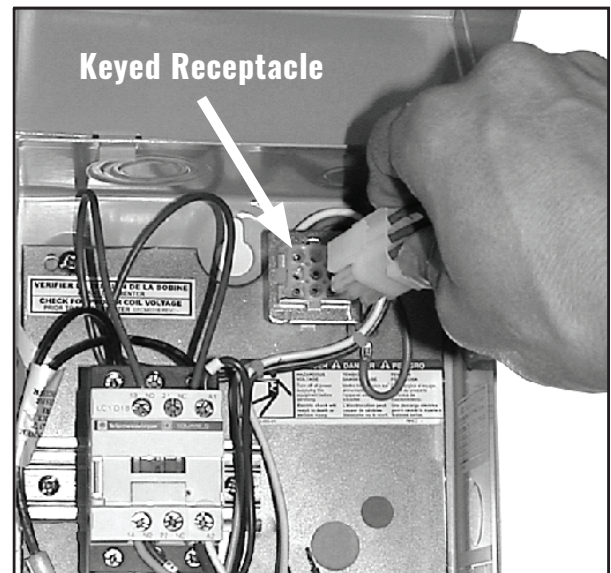
Overload Amperage Dial

- 22** Plug the Start / Stop Push-Button Assembly into keyed receptacle.

Run power to the Starter, and from the Starter to your motor. See the Starter's manufacturer instructions for more details.

The Power & Control Circuit connected to the Starter should be fed from a dedicated circuit breaker or disconnect with fuses. Don't connect any branch circuits to the Magnetic Starter; Power Circuit is to be sized per Article 430.32 of the NEC.

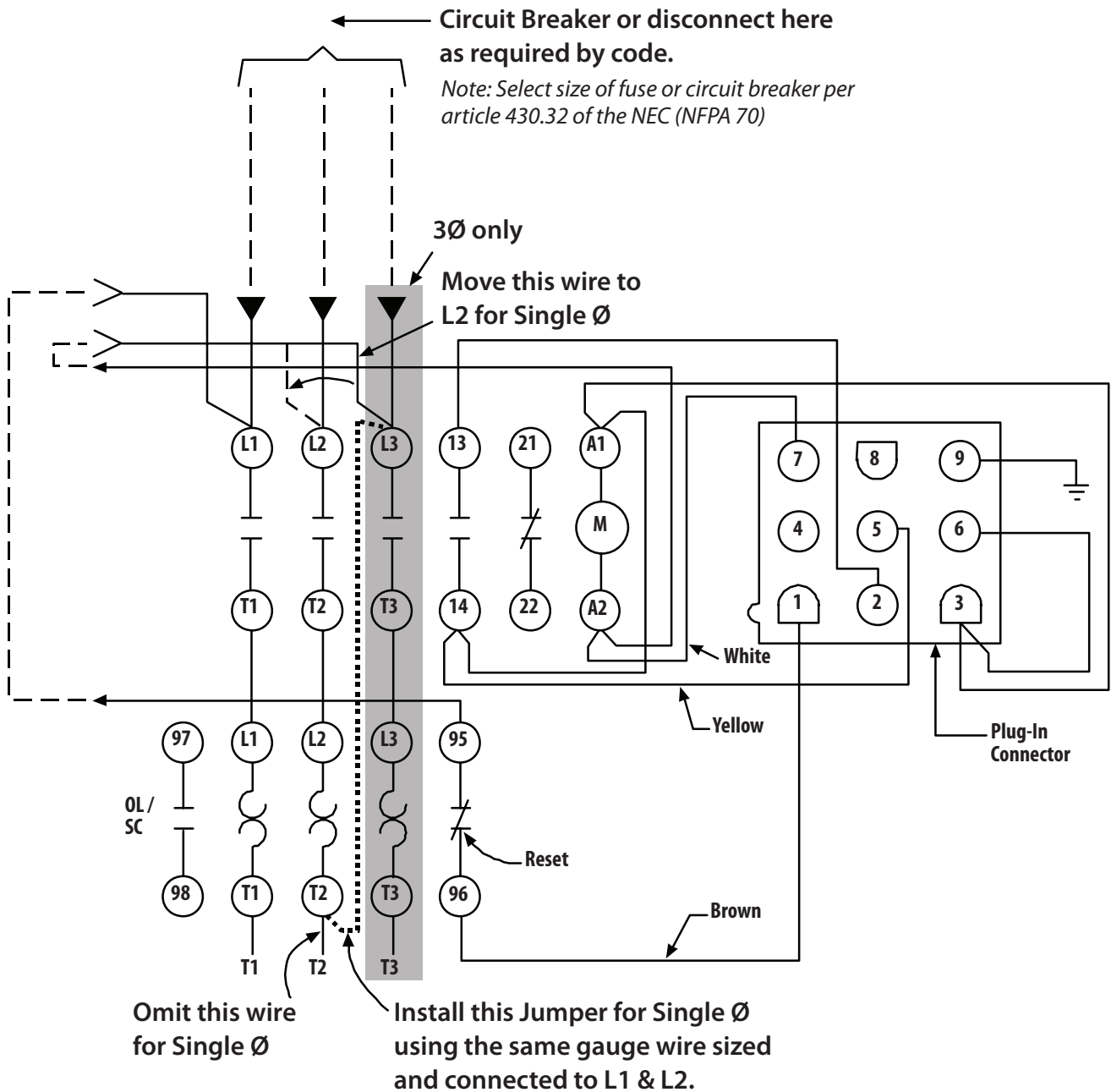
Note: Use time delay fuses rated for motor circuits.



Electrical Wiring Instructions (Continued)

The magnetic starter that ships with item #XXK050333 can be used in single-phase (1ph) or three-phase (3ph) applications. When used in single-phase it requires a jumper wire that connects T2 and L3. (See wiring diagram). This “tricks” the overload into thinking it has three-phase power. This jumper must be installed by a licensed electrician. The jumper is not required if you are using three-phase power.

Note: Please see complete manufacturer instructions (packaged inside of the Magnetic Starter) for more information.



Maintenance



**UNPLUG YOUR UNIT BEFORE
SERVICING OR CLEANING**

Cleaning the Filter

Proper filter cleaning should not be neglected as a dirty filter can significantly affect your dust collector's performance and the overall lifespan of your filter. The following steps should be done while the filter is still attached to your system:

1. WEAR A DUST MASK AND EYE PROTECTION WHILE CLEANING THE FILTER.
2. Turn off the dust collector and wait for the system's fan blower to come to a complete stop.
3. Use a hand-held, compressed air nozzle with a pressure between 30 to 60 PSI to blast air along the filter's exterior pleating. Hold the air nozzle at a 20 degree angle and at least 6" away from the filter; Closer blasts may damage the filter material. Direct air out and away from anyone in the area.
4. Wait a few minutes for dust to settle then before remove the fine dust bin at the bottom of the filter.
5. Dispose of dust carefully and then reconnect the dust bin.

Emptying the Drum

When first using the dust collector, check the drum regularly to get an idea of how often it needs to be emptied. If the drum becomes overfilled, the dust will be sucked into the intake barrel and into the filter.

How quickly the drum will fill us is based on the type of work being done at the time. For example: fine dust from a sander or table saw will slowly fill the drums while curly shavings from a planer or jointer will quickly fill the drum.

Lubricating the Motor

Per Baldor's specifications, their 2-pole motors (3,600 RPM) are to be lubricated every 5,500 hours. Refer to the Table below to determine if your motor's Lubrication Interval must be adjusted. For example, a system operating in a moderately corrosive area with an ambient temperature of 109° F (43° C) would qualify as the "Severe" service condition, and should instead be lubricated every 2,750 hours.

A right angled grease coupler will be needed for this operation.

1. Motors can be greased while stopped, at less than 176° F (80° C), or while running.
2. Clean the motor's grease fitting, or if equipped with slotted grease screws, clean the area around the grease hole. If the motor has a purge plug, remove it.
3. Apply grease gun to fitting (or grease hole). Add 0.3 ounces (8.4 grams) of Mobil Polyrex grease by weight, or 0.6 cu. in. (2 teaspoons) of Mobil Polyrex grease by volume.
4. Slowly apply the recommended amount of grease, taking one minute or so to apply. Too much grease or injecting grease too quickly can cause premature bearing failure.
5. Operate the motor for 20 minutes; Reinstall purge plug if previously removed.

Caution: Keep grease clean. Mixing dissimilar grease is not recommended.

LUBRICATION INTERVAL TABLE			
Severity of Service	Maximum Ambient Temperature	Atmospheric Contamination	Lubrication Interval Multiplier
Standard	104° F (40° C)	Clean; Little Corrosion	1.0
Severe	122° F (50° C)	Moderate Dirt; Corrosion	0.5
Extreme	> 122° F (50° C) or Class H Insulation*	Severe Dirt; Abrasive Dust; Corrosion	0.1
Low Temperature	< -22° F (-30° C)**		1.0

* Special HIGH temperature grease is recommended

** Special LOW temperature grease is recommended

Troubleshooting

PROBLEM	CAUSE	SOLUTION
Motor Overheating (The motor's internal circuit breaker will trip if the motor is overheating)	Air leaks between the dust collector and dust bin	<ol style="list-style-type: none"> 1. The lid of the dust drum must be in place have a foam seal and be well seated when operating the dust collector 2. Make sure flex hose is not torn and the hose clamps are tight 3. Check for holes or leaks in the dust barrel
	Motor not properly wired	<ol style="list-style-type: none"> 1. Check wire connections 2. Check motor rotation 3. Check breaker box to make sure power supply is correct for motor
Poor dust pick-up at Tools	Improper motor rotation (Running backwards will reduce suction by 30%)	<ol style="list-style-type: none"> 1. Check length of duct runs, duct diameters, and hood design compared to ductwork design guidance 2. Make sure all ductwork is sealed. Large air losses will occur even through small cracks in the ductwork. Use silicone, duct tape or duct mastic compound as a sealant. 3. Check for air leaks between collector and dust drum. 4. Close all unused blast gates at your woodworking machines. 5. Check for a restricted pipe, too small a hood port or too small a branch line. 6. Be sure that your filter is clean.
Filter Clogging	Large Chips Clogging the Filter	<ol style="list-style-type: none"> 1. Check for a leak in the dust bin, flex coupling or lid. Check for split or torn flex coupling. 2. Make sure dust bin has not over filled. Dust bin should be emptied before the dust reaches top of container. 3. Interruption of air flow, such as vacuuming chips with a flex hose connection, will increase filter maintenance.
	Fine dust clogging the filter	<ol style="list-style-type: none"> 1. Air flow to the collector may be restricted. The collector needs the equivalent of at least a 4" diameter cross-section open to allow adequate air volume and speed for pre-separation in the cyclone stage of the collector. If you are using a woodworking machine with only one 2" diameter dust port, partially open another blast gate to compensate. 2. Check for excessive elbows at cyclone inlet as explained in the mounting collector section. 3. Heavy sanding with a drum sander or fine grit paper will cause the pleated filter media to blind sooner than with larger size dust. Clean filter more often with compressed air.



If you continue to experience difficulty with your dust collector, call Oneida Air Systems' Customer Service Department at 1-866-387-8822 or email support@oneida-air.com.

Recommended Accessories



18" x 62" Spunbond Modular Stacking Filter System

#FCK186200

- Independently tested G.E. Certified H12 HEPA filter media.
- Wide-spaced pleated filters with teflon-like coating for quick and easy dust removal.
- Equipped with patented FlameGuard™ arrestor mesh for added safety.



35 or 55 Gallon Liner Bag Holder

#ABX000035 or #ABX000055

- Holds the liner bag open within your dust collector's waste container.
- Several finger holes for easy lifting and removal from the liner bag.
- 20.5" Tall for 35 Gallon, 32" Tall for 55 Gallon.



35-55 Gallon Heavy-Duty Plastic Liner Bag

#VAB251555

- Lines the inside of large, 35 to 55 gallon containers for fast and simple waste disposal.
- Heavy thickness protects against tearing from wood chips or other sharp debris.
- 22" x 22" x 55"



Dust Sentry Bin Level Indicator

#AXB999110B

- User controlled fill-level can be adjusted for distances 1" to 20" from the lid.
- High intensity strobe light can be mounted on the wall, on the drum, on your system, etc.
- Low voltage - Works on standard 110V power.



Universal Drum Dolly

#SDD990000

- Fits nearly any cylindrical waste bin sold by Oneida Air Systems.
- Includes five 2" non-marking caster wheels (3 non-locking, 2 locking).
- Requires Leg Extension Kit (Item #STZ212301) if used with a stand mounted system.

Recommended Accessories (Continued)



8" or 10" Direct Drive Rotary Air Lock Valve (3-Phase)

#SAZ080000B or #SAZ100000B

- Significantly reduces shop downtime and labor costs for emptying bins.
- Can be used with any size waste container.
- Must be used with dual drum stand (Item #STZ050255).



1 Cubic Yard Hoppers with 10" Collar or Open

#SHZ010000 or #SHZ010099

- Unique E-Z Release handle allows dumping to be safe, effortless, and quick.
- Must be used with dual drum stand (Item #STZ050255).
- Larger hoppers available, please call for more information.



55 Gal. Steel Drum 10" Splitter Kit

#SEK551010

- Reinforced steel construction with enamel painted exterior for long lasting durability.
- Designed for use with dry waste only.
- Includes locking-lever ring clamp - lid sold separately.



RF Remote Control Key Fob

#AMR000000

- Sends long range wireless signal via radio frequency.
- Works at long distances and even through walls!
- Compatible only with systems that include a magnetic motor starter control box.



Flex Hose 10" Diameter

#DHF100000 (Sold per foot)

- Highly flexible hose made from abrasion resistant PVC material.
- Reinforced with steel wire-helix for heavy-duty usage.
- Transparent hose makes it easy to spot and clear potential blockages.

Warranty Information

Limited Warranty – Activate online at oneida-air.com/warranty

Oneida Air Systems®, Inc. (OAS) warrants the products it manufactures for a period of 1 or more years, depending on the product, to the original purchaser from the date of purchase, unless otherwise specified. Items not manufactured by Oneida Air Systems are limited to their own manufacturer's warranties. All electrical items such as magnetic starters, remotes, sensors, pumps, bin sensors, bag grippers, etc. and accessories are limited to 90 days. Oneida Air Systems warrants that the product will be free from defects in materials and workmanship.

This is Oneida Air Systems' sole written warranty and any and all warranties that may be implied by law, including any merchantability or fitness, for any particular purpose, are hereby limited to the duration of this written warranty. Oneida Air Systems does not warrant or represent that the merchandise complies with the provisions of any law or acts unless the manufacturer so warrants. This warranty does not apply to defects due directly or indirectly to misuse, negligence, accidents, abuse, repairs, alterations, improper wiring or lack of maintenance. In no event shall Oneida Air Systems' liability under this warranty exceed the purchase price paid for the product and any legal actions brought against Oneida Air Systems shall be tried in the State of New York, County of Onondaga.

The buyer is cautioned to install and operate Dust Collectors in accordance with prescribed Federal, State, OSHA, NFPA, local codes and regulations. This equipment should be installed/wired by a licensed electrician following all applicable codes. Local codes can be significantly different from national codes. The customer assumes the responsibility for contacting their insurance underwriter with regard to specific application requirements of venting or if additional fire protection and safety equipment may be required. Oneida Air Systems shall in no event be liable for death, injuries to persons or property or for incidental, and contingent, special, or consequential damages arising from the use of our product.

Oneida Air Systems makes every effort to accurately represent our products and prices, however Oneida Air Systems reserves the right to make changes to products and prices at any time. As a manufacturer, Oneida Air Systems reserves the right to change product specifications at any time in an effort to achieve better quality products.



ONEIDA AIR SYSTEMS SHALL IN NO EVENT BE LIABLE FOR DEATH, INJURIES TO PERSONS OR PROPERTY OR FOR INCIDENTAL, AND CONTINGENT, SPECIAL, OR CONSEQUENTIAL DAMAGES ARISING FROM THE USE OF OUR PRODUCT.



SAFETY WARNING - PLEASE READ

Before Purchasing or Installing a dust collection system the buyer is cautioned to do so in accordance with prescribed Federal, State, Local, OSHA, NFPA, and any other applicable codes or regulations relating to the type of dust(s) you are collecting.

SOME TYPES OF DUST UNDER CERTAIN CONDITIONS HAVE THE POTENTIAL TO BE EXPLOSIVE.

Oneida Air Systems is not responsible for how the dust collector is used or installed. Dusts with deflagration or explosion risks, such as wood dust, may require additional safety equipment including but not limited to; venting, spark detection, suppression systems, back draft dampers or may require installation in an outside location or in a protected area away from personnel. The customer assumes the responsibility for contacting their insurance underwriter with regard to specific engineering controls or application requirements. (We suggest you reference NFPA 664, 654 and 68 codes for more information) Oneida Air Dust Collection Systems may not be suitable for some applications and are not designed to be used in explosive atmospheres. Oneida Air Systems equipment should only be installed and wired by a licensed electrician following all applicable local and national electrical codes.

Some dust created by power sanding, sawing, grinding, drilling, and other construction activities contains chemicals known to cause cancer, birth defects or other reproductive harm. Some examples of these chemicals are: Lead from lead-based paints; Crystalline silica from bricks, cement and other masonry products; Arsenic and chromium from chemically-treated lumber; etc.

Your risk from these exposures varies, depending on how often you do this type of work. To reduce your exposure to these chemicals, work in a well ventilated area, and work with approved safety equipment, such as those dust masks that are specially designed to filter out microscopic particles. Oneida Air Systems recommends using additional approved safety equipment such as an approved OSHA and NIOSH dust mask or respirator.

Oneida Air Systems makes every effort to accurately represent our products, specifications and prices; however Oneida Air Systems reserves the right to make changes to products and prices at any time. As a manufacturer, Oneida Air Systems reserves the right to change product designs and specifications at any time.

Terms & Conditions

How to Order



Checks & Money Orders (by Phone Only)

- **ONLINE: oneida-air.com**

You can shop on our online ecommerce store 24 hours a day, 7 days a week, or send an e-mail to: info@oneida-air.com.

- **PHONE: 1 (800) 732-4065**

Call us toll-free to speak with our team of dust collection experts. Our business hours are Monday - Friday, 8:00am - 5:00pm EST

- **FAX: (315) 476-5044**

You can fax your order in anytime and we will send you back a confirmation by e-mail, fax or mail. Be sure to include your name and a daytime phone number

- **MAIL: 1001 West Fayette St., Syracuse, NY 13204**

You can mail in your order and we will send you back a confirmation by e-mail, fax or mail. Be sure to include your name and a daytime phone number.

Oneida tries to ship orders out in a timely manner, however sometimes delays and back orders are inevitable. Oneida will not be held responsible or liable for these conditions or the way they may effect your production. Back orders will be shipped when they are available. When orders are shipped UPS, UPS will notify you by e-mail. If shipped by Common Carrier, you can arrange for the trucking company to notify you and make arrangements for delivery. Shipping method is determined by Oneida Air Systems and is dependent upon material to be shipped and destination.

Checking in Order

Please look over the shipped order very carefully in the presence of the delivery person for damage or incomplete shipment before signing the delivery receipt. Please note any tears or irregularities in shipping packaging, however slight, on the shipping delivery receipt. This could be an indication of extensive concealed damage. The shipping company will not take responsibility if the damage is not noted on the delivery receipt. In the event of shipping damage, call OAS Customer Service immediately at 1.800.732.4065 so we can expedite replacements. Please check in all parts within 3 days from receiving order. Notify OAS immediately of any missing or incorrect parts. OAS does not accept any claims for damage or shortage after 3 days from date of delivery.

Delivery Risk of Loss

Products will be shipped to Buyer's single destination. Title and risk of loss shall pass to the Buyer upon delivery to such destination. Buyer pays transportation expenses. Dates of shipment are advisory and Oneida Air Systems will make reasonable efforts to ship on or before the date states for shipment, however, Oneida Air Systems shall not incur any liability for failure to ship on that date.

Returned Goods Policy

Buyer must inform Oneida Air Systems of any shortage or damage, by so noting in writing, on the freight delivery bill prior to signing to indicate receipt of shipment. All claims covered under the limited warranty, are subject to inspection and investigation by Oneida Air Systems. Oneida Air Systems reserves the right to inspect and investigate all returned products before Buyer's claim is settled. All products returned for a refund must be unused and resalable and purchased within the last 30 days. There are no refunds on flex hose or custom made components. There will be a 25% restocking fee applied to any returned items. Buyer must call and obtain a Return Material Authorization Number (RMA #) prior to making a return. All merchandise must be shipped to us prepaid.

OAS Quick-Clamp Ductwork

Infinite Adjustability



Made in the USA

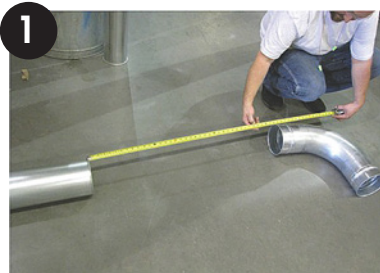
Adjustable, Fast Installation

Now you can make the infinite adjustments to fit any length requirement.



The exclusive adjustability of our fittings makes **Quick-Clamp** the clamp-together duct that is infinitely adjustable. All fittings (elbows, branches, reducers... anything with a collar) will accept a cut piece of pipe just the same as a nipple. Our 11" long adjustable nipple is recommended for adjustments between fittings. To use this feature follow the directions below, but cut the pipe a little longer than needed. Slide the cut pipe into the fitting and clamp the O-ring to the fitting.

Note: Keep cut end of pipe in the same direction as the airflow.



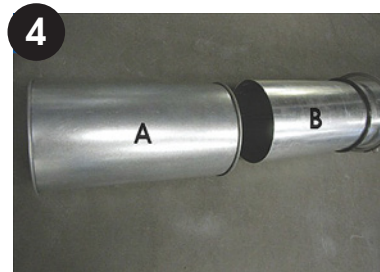
1 Measure length needed.



2 Mark standard 5' duct 3 - 4" shorter than length needed.



3 Use O-ring (comes with nipple) to mark cut line. Cut.



4 Deburr cut and slide nipple (A) over cut end of pipe (B).



5 Adjust to length.



6 Clamp ends of assembly and then clamp O-ring to nipple.



The **Industry Leader in Dust Collection**

Thank you for your business!

Regardless of where you purchased your system, if you have any questions or issues with missing / damaged parts, please call Oneida Air Systems (OAS) first to let us help resolve your problem. We fully stand behind the quality of our product and place the utmost value on our customer's opinion.

We want to do everything possible to make your purchase and experience with Oneida Air Systems a good one!

OAS Customer Service Dept.

1-866-387-8822 • support@oneida-air.com

1001 West Fayette Street, Syracuse, NY 13204 U.S.A.

Copyright © 2018 Oneida Air Systems, Inc.